

# BUFFER MANAGEMENT

# BUFFER MANAGEMENT CONCEPT

## ❖ Buffer

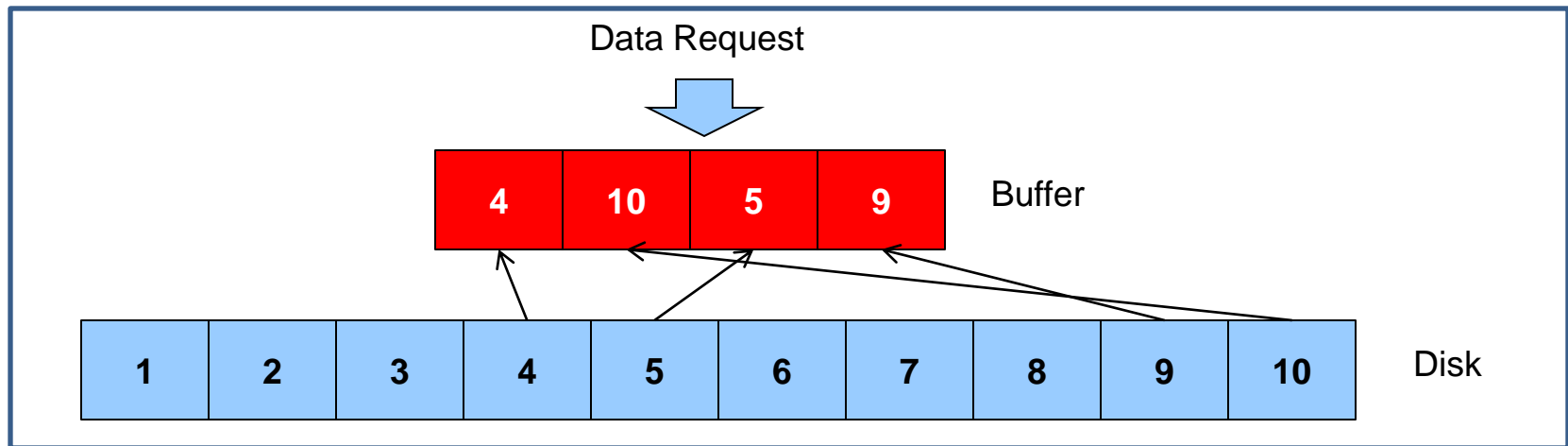
- Memory space where disk-resident pages are temporarily loaded to improve the performance and reduce disk I/O

## ❖ Buffer Replace

- Because not all the pages of disk can be loaded into the buffer, when new disk pages are loaded, they replace other pages in the buffer

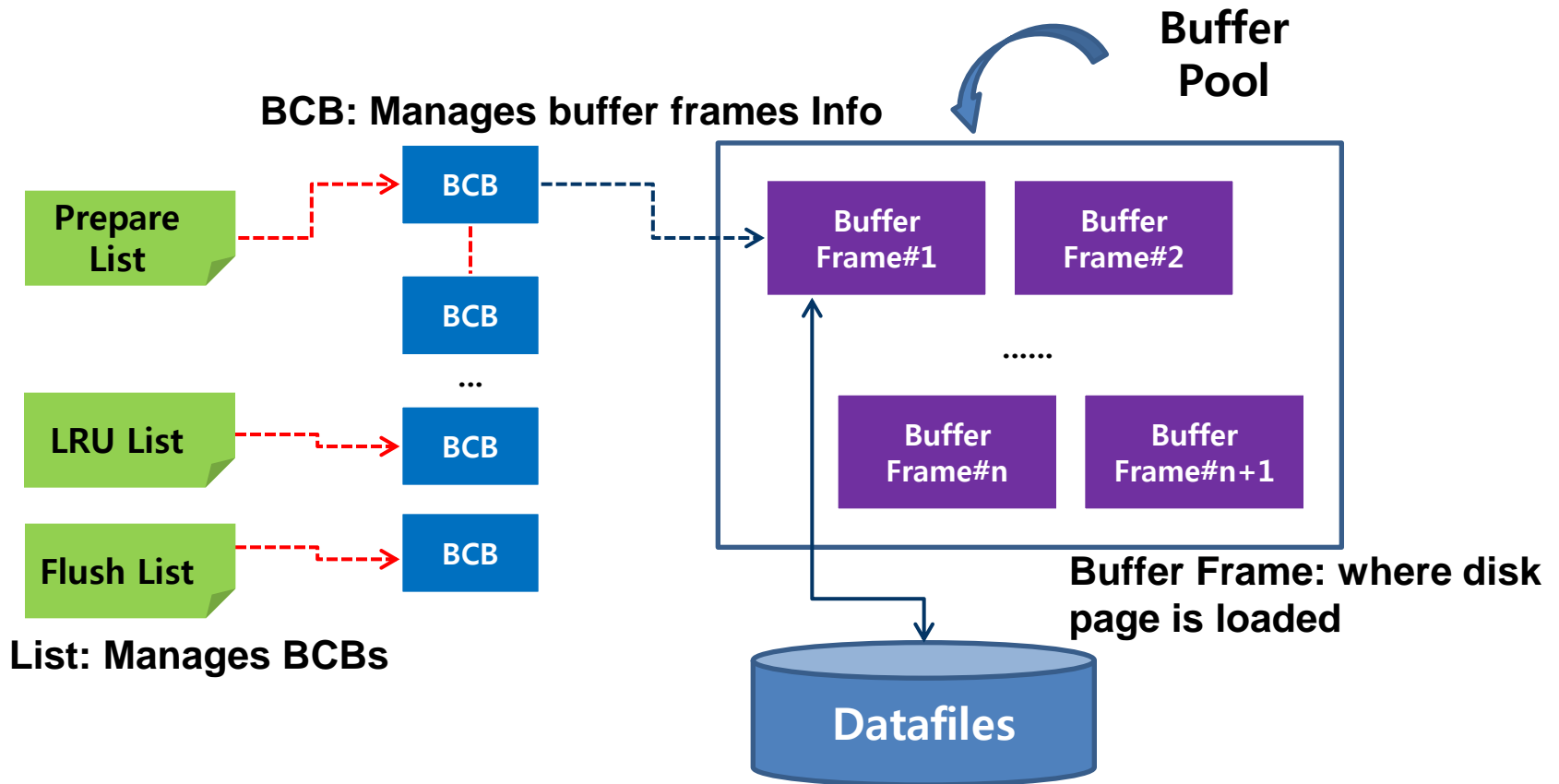
## ❖ Victim

- The buffer frame and a BCB that are chosen for buffer replacement



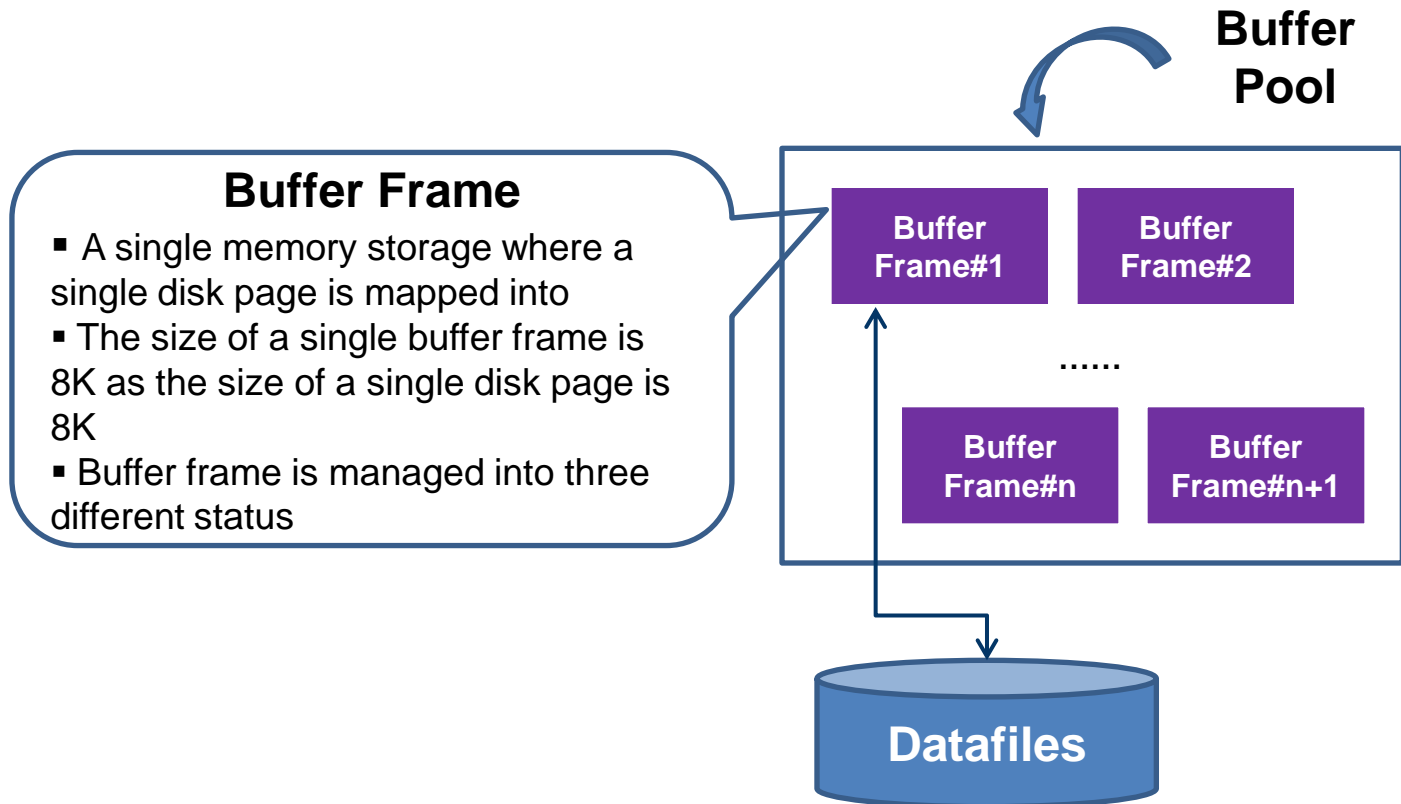
# BUFFER Contents

## ❖ Buffer Contents



# BUFFER Contents

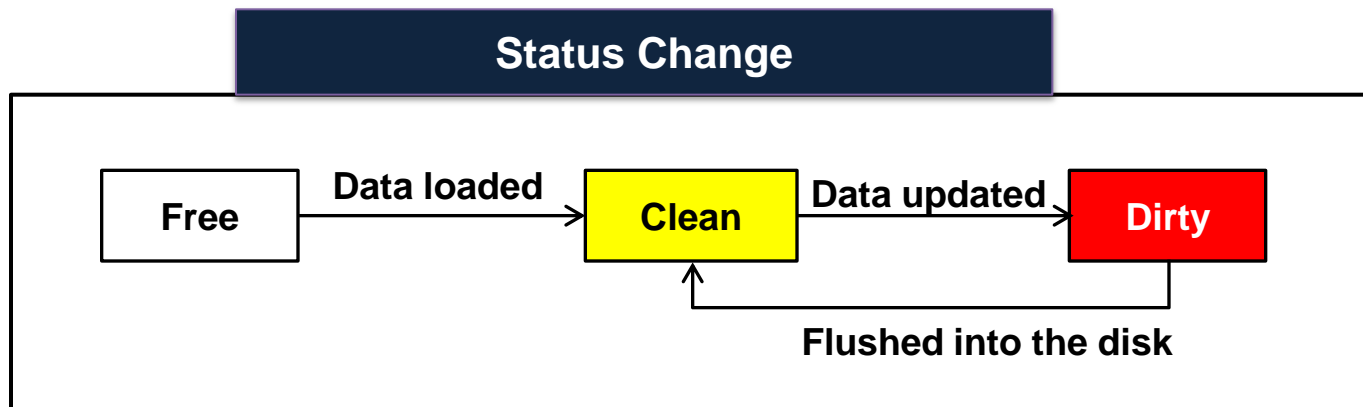
## ❖ Buffer Frames



# BUFFER CONTENTS

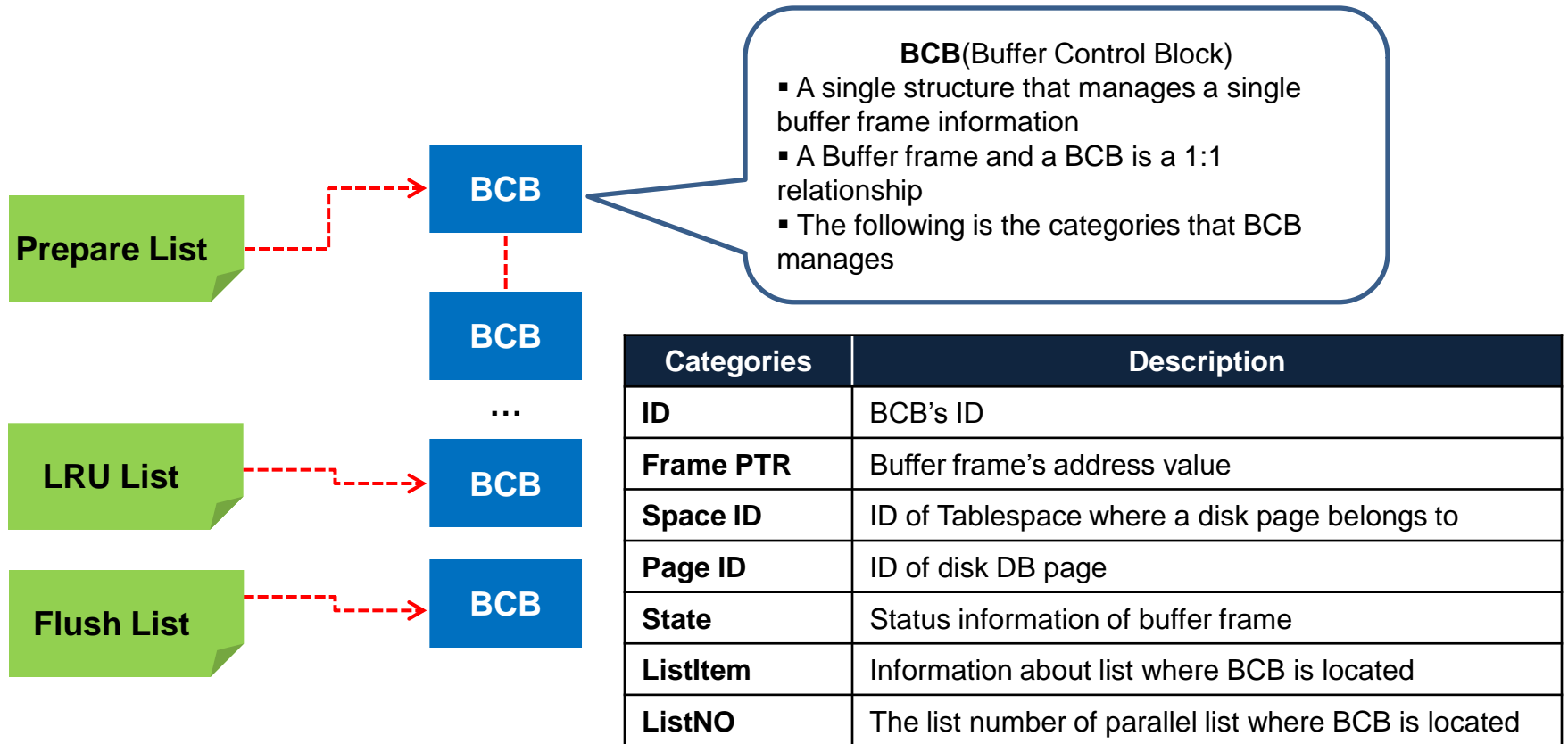
## ❖ Buffer Frames

Status	Description
Free	Very first status where a page is not loaded
Clean	A page is loaded but it has not been updated
Dirty	A page is loaded into buffer and it has been updated



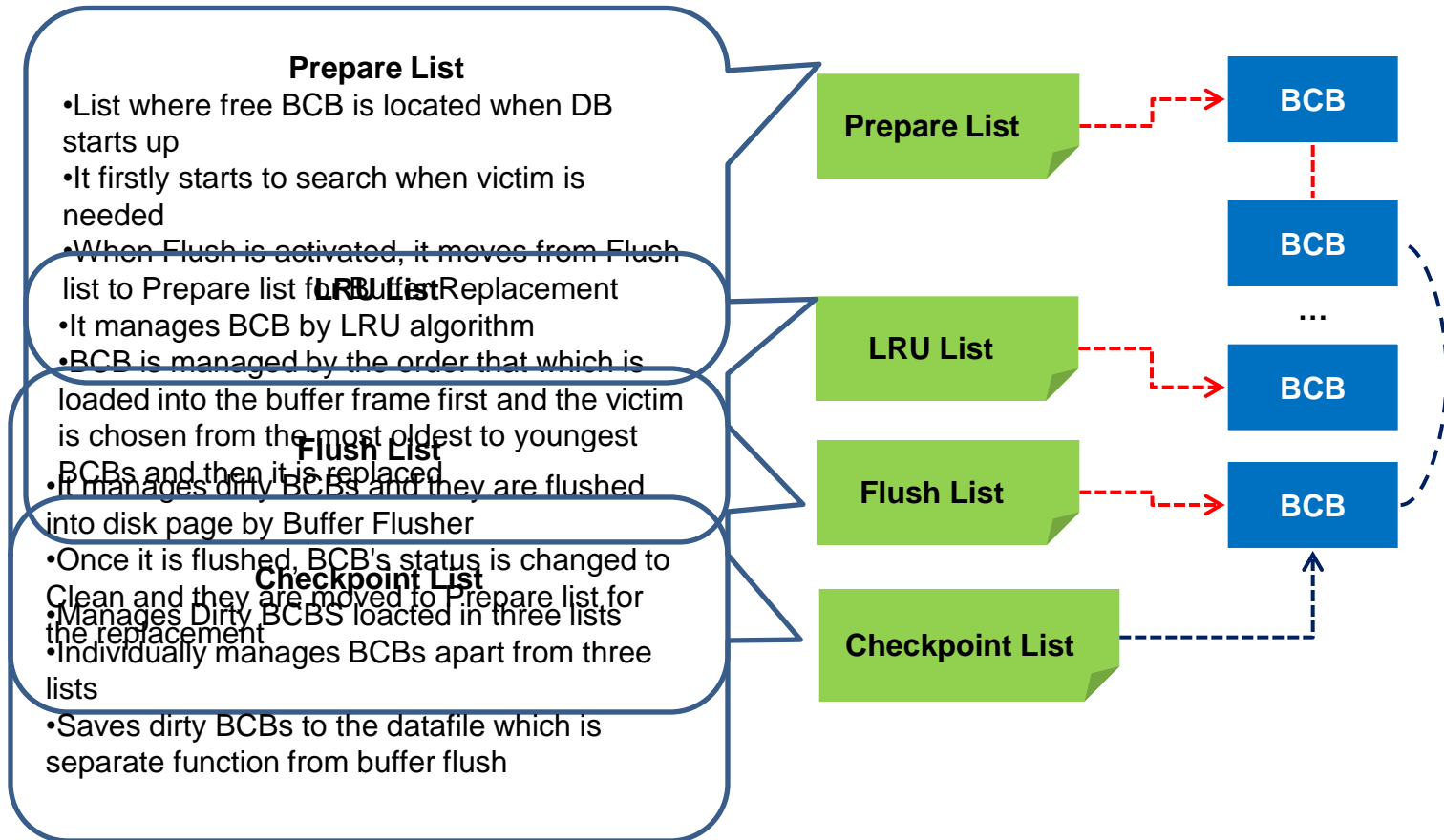
# BUFFER CONTENTS

## ❖ BCB



# BUFFER CONTENTS

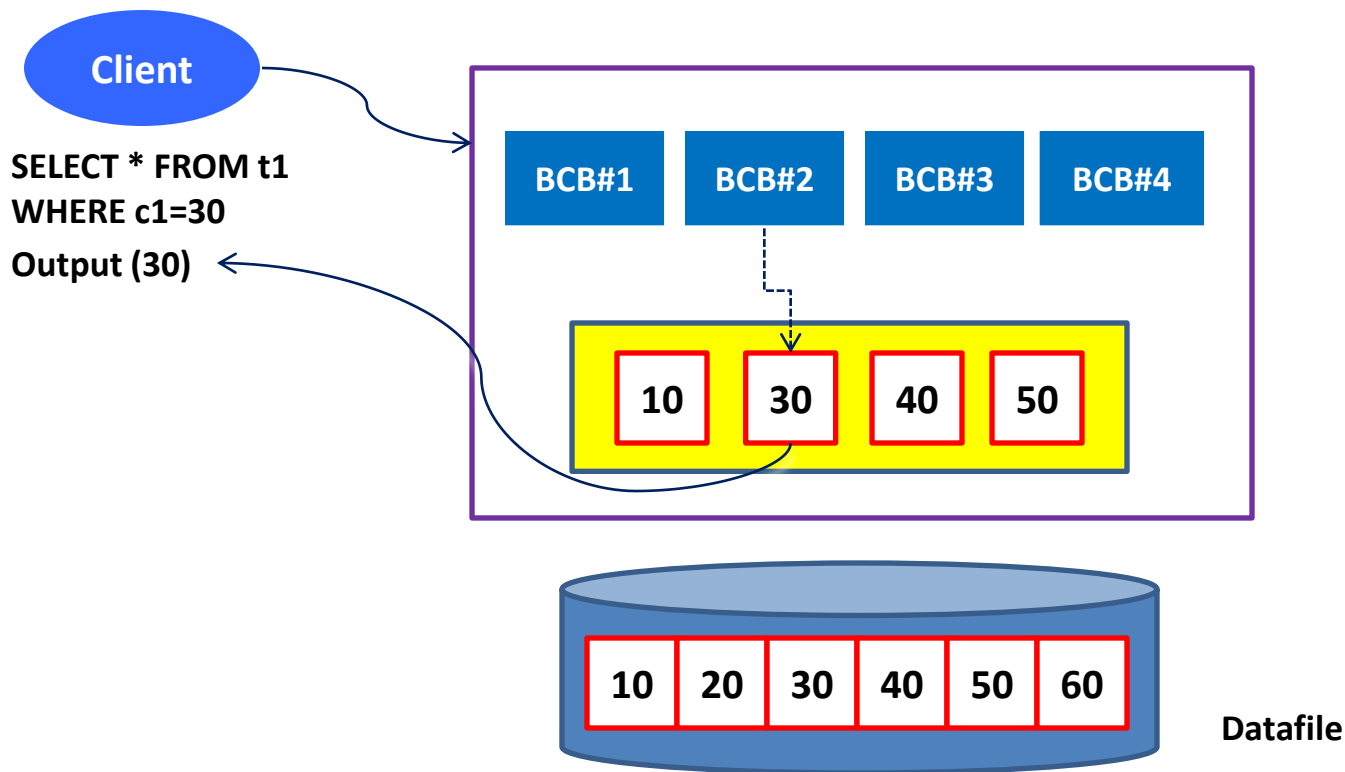
## ❖ Lists



# BUFFER CONTENTS

## ❖ Example 1

- When requested data is in the buffer

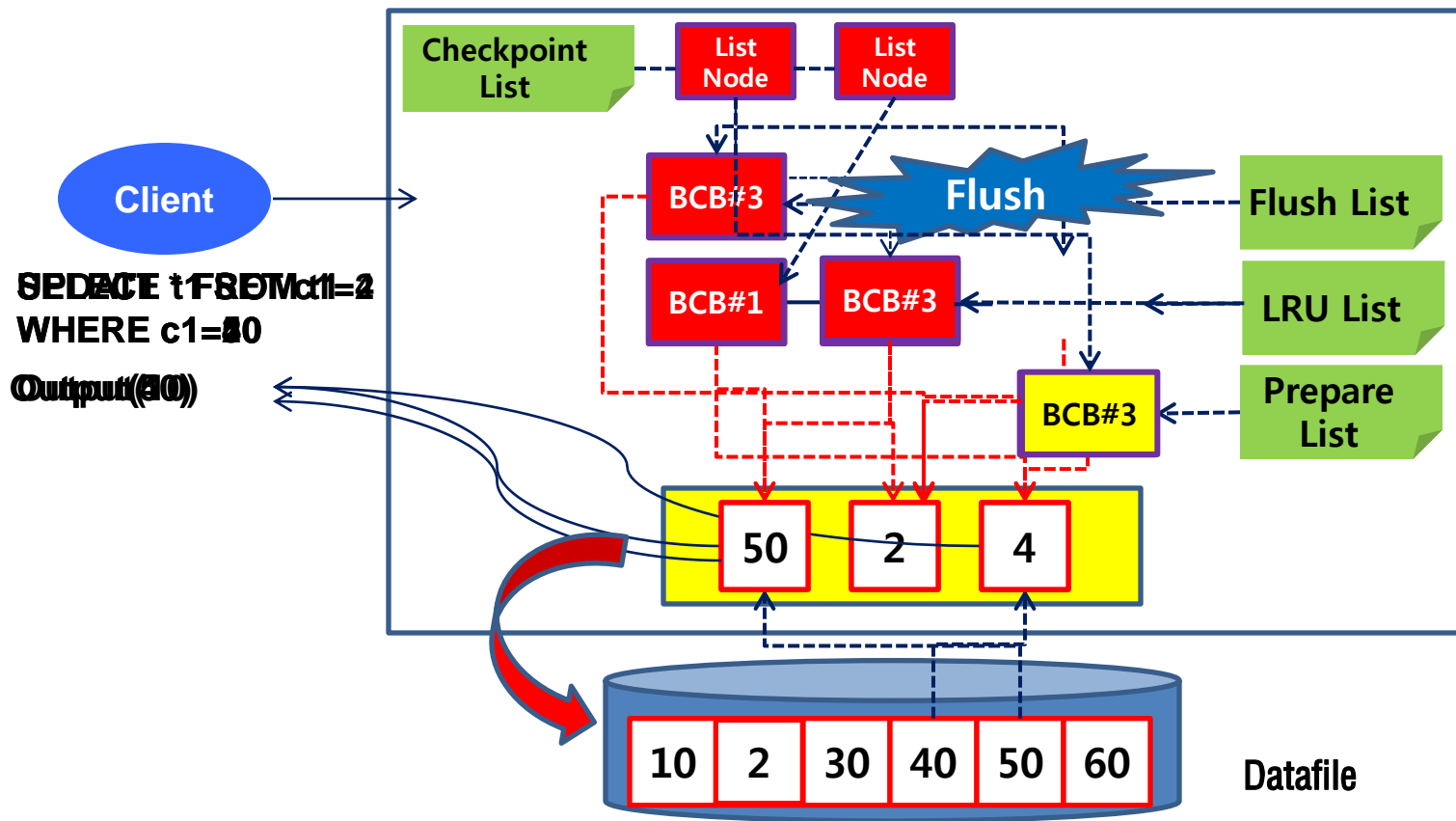




# BUFFER CONTENTS

## ❖ Example 2

- Changes of BCB status, BCB movements among the lists and etc..



# Thank you!

Altibase Education Center

Tel : 02-2082-1451

Fax : 02-2082-1459

E-mail : [education@altibase.com](mailto:education@altibase.com)

Homepage : <http://edu.altibase.com>